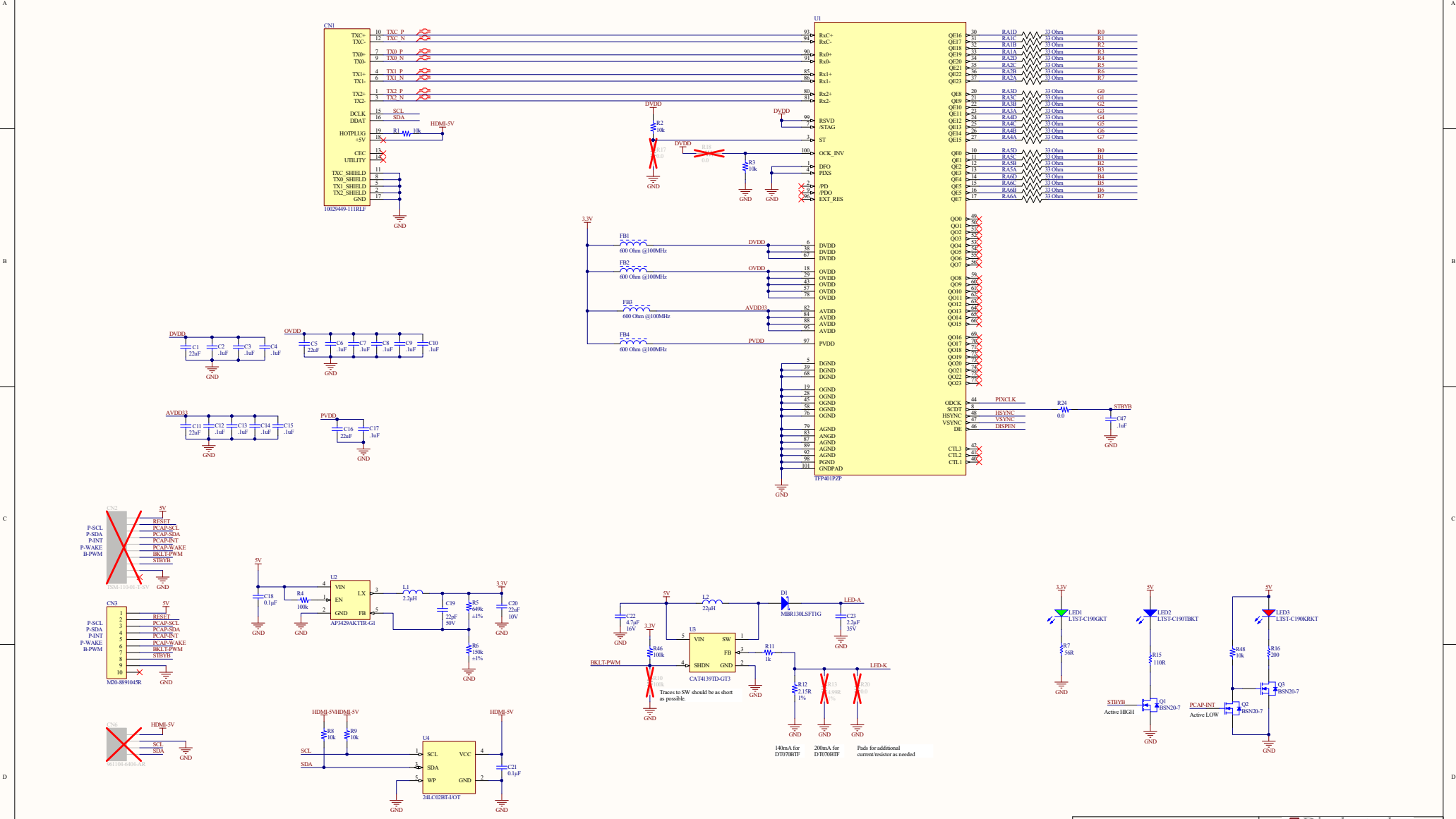
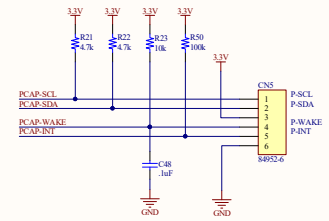
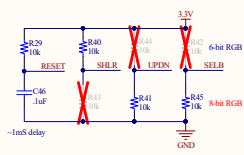
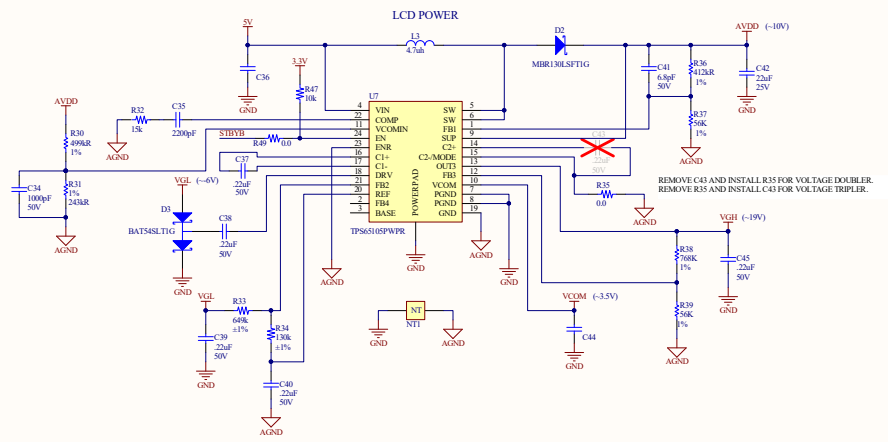
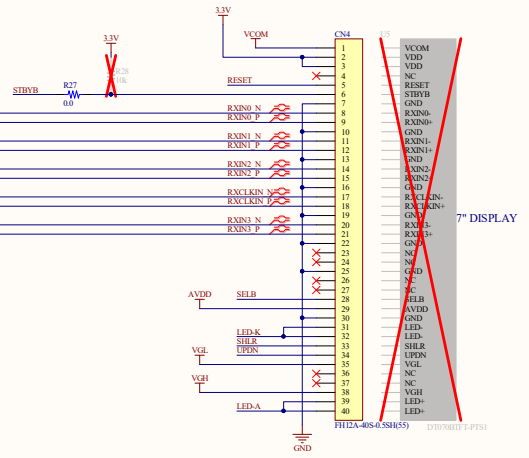
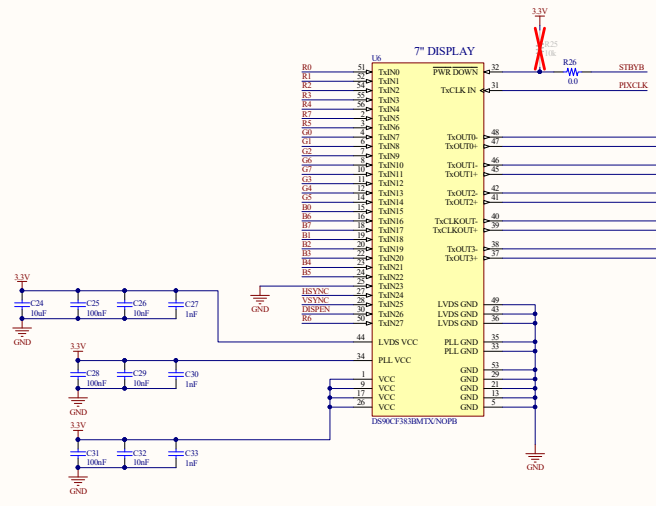


REVISION HISTORY			
REV	DESCRIPTION	INITIALS	DATE
A1	INITIAL RELEASE	PRW	
A2	ADDED MISSING VGL CONNECTION (LCD POWER CIRCUIT)	PRW	3/11/19



Project: SEAO010			
Title: SEAO010_CAD_SCH_REV02_SHT1.SchDoc			
Size: A2	Doc Number: 1	Revision: A2	Drawn By: PRW
Date: 3/11/2019	Time: 5:19:45 PM	Sheet: 1 of 2	Approved:
File: G:\My Drive\Products\RaspberryPi\HDMI_to_RGB\SEAO010\CAD\REV02\SEAO010_CAD_SCH_REV02_SHT1.SchDoc		SEACOMP Displaytech 2546 Gateway Road Carlsbad, CA 92008 USA	



Project: SEA0010		Revision: A2		Drawn By: FRW	
Title: SEA0010_CAD_SCH_REVA2_SHT2_SchDoc		Doc Number: 1		Time: 5:19:46 PM	
Date: 3/11/2019		Sheet: 2 of 2		Approved:	